

SRC4 Lux Sensor



Smart for Greenlife!

Features

- High sensitivity
- Good linear response curve
- Good splash resistance
- Easy wall mounting

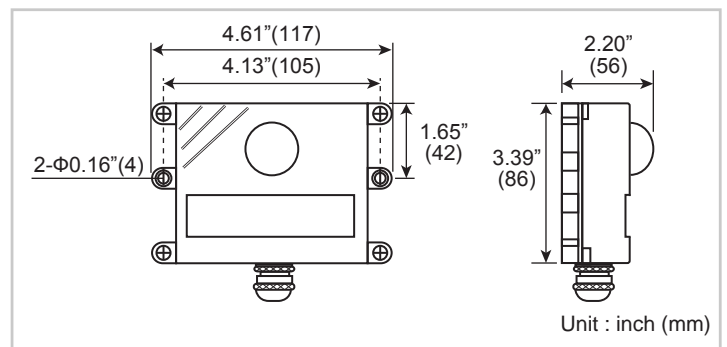
Specifications

Item	Description
Input Power	AC/DC 24V 20mA
Range	0~2000 Lux
Accuracy	±3% @25°C
Mounting	Wall Mounted
Enclosure	ABS
Operating Temperature	-20°C~60°C
Output (options)	(1) RS485 (2) 0~10V

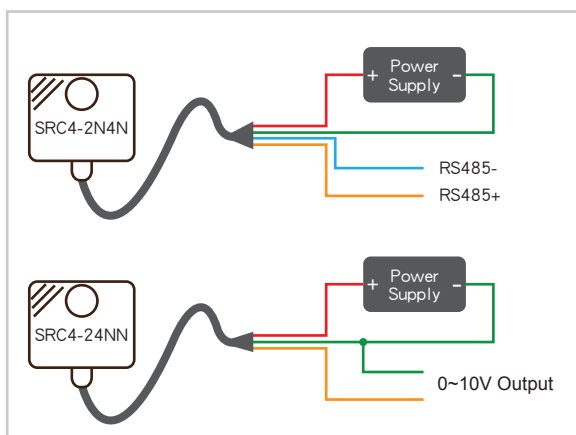
Description

- The SRC4 uses a sensing element that is highly sensitive to even very low light levels; it has a good measurement range, good linear response, easy to use, easy to install and the signal can be transmitted very far. It can be used for all types of venues, but is especially suited for outdoor light measurement.
- Daylight harvesting is a very important means to save energy and in some countries has even been mandated into law, as is the case for California's Title 24 for example. As such, lux sensors are an indispensable element in order to be comply with such regulations.
- DAE's lux sensors are available in a selection of models with 0~10V output or RS485 communication interface.

Dimensions



Wiring Diagram



Ordering

Order Code	Description
SRC4-2N4N	Lux Sensor with RS485 communication
SRC4-24NN	Lux Sensor with 0~10V output

Product specifications subject to change without notice due to continuous improvements.