



Smart for Greenlife!

### Features

- 4 channels of DC 0-10V analog output can be connected to dimmable LED, fluorescent, CFL and other dimmable lightings
- Can use wall switches or motion sensors for local on site control
- Can authorize or de-authorize local site controls
- Supports multiple characteristic response curves for different types of lighting

### Applications



Hallways



Stairwells



Elevator Lobbies



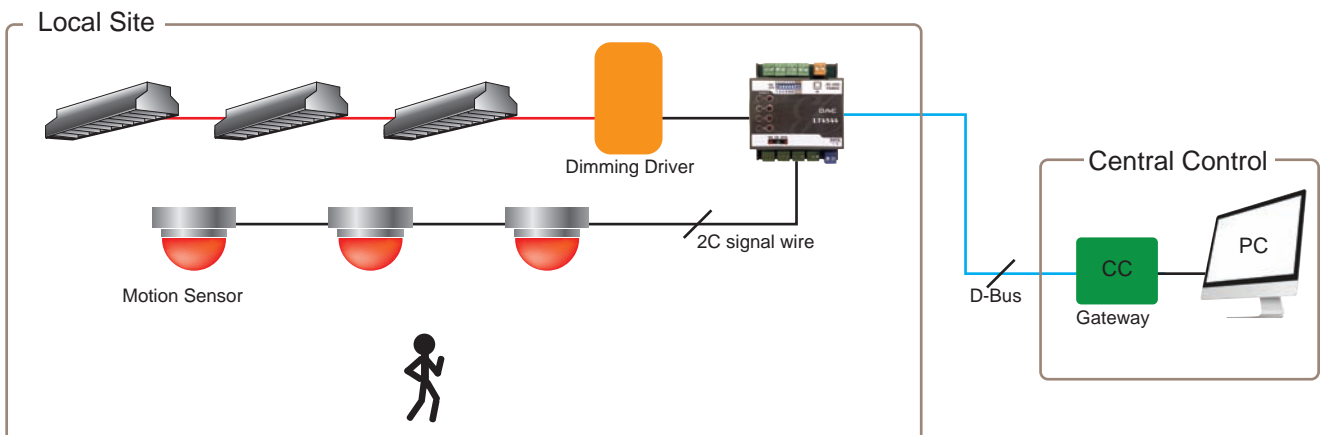
Basement Parking

### Overview

Each LT4544 has four dimming control channels that can be used to control four dimming drivers; the drivers can be the same or of different types

The LT4544 has an authorizing capability which can allow or disallow control from the local site. Local controls can either be using wall switches or motion sensors. When authorized, local controls can operate the lights. When de-authorized, the lights are either forced to remain on or off as needed, and the local controls are ineffective in controlling the lights.

### Architecture



### Motion Sensor Dimming

- Equipment : On the local site, each motion sensor will trigger its associated lighting circuit
- Method of Control

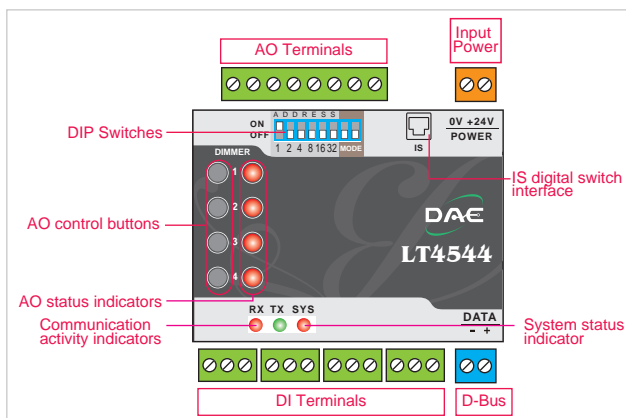
1. Peak Period : Central control takes over the lights and the motion sensors are ignored.
2. Off-peak Period : Central control authorizes the local motion sensors to trigger its associated lighting circuit.

When no one is around, the lighting will be half-lit, but when someone is present, the lights will go to full brightness; once the person leaves, the lights will once again gradually return to being half-lit.

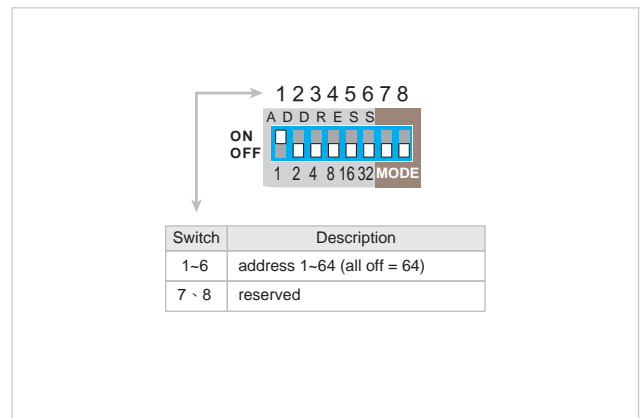
## Specifications

Input Power	AC/DC 24V
Power Consumption	• 68mA @ DC 24V • 120mA @ AC 24V
Operating Temperature	0 to 60° C
Operating Humidity	0 to 90%RH (non-condensing)
Enclosure Material	ABS plastic
Mounting	DIN rail
Weight	205g
IS Digital Switch Interface	RJ11 jack
Device Address	Set using DIP switches
Communication Interface	DAE D-Bus
Manual Control	4 Buttons correspond to 4 AO LED indicators show the status
Input/Output	4 analog outputs, DC 0~10V 4 digital inputs (dry contact)
Connector Terminals	Power : 2 pin orange pluggable block, 18~22AWG D-Bus : 2 pin blue pluggable block, 18~22AWG Each AO : 2 pin green pluggable block, 20~24AWG Each DI : 3 pin green pluggable block, 20~24AWG
LED Indicators	Communication: Rx/Tx System Status: Sys
Dimming Levels	0~100% @ 1% increments
User Setting and Configuration	Set address and modes using DIP switches Press and hold any button for 5 seconds to enter auto-learning and set the desired group and pattern Press the desired button on the IS45 to associate and set the current pattern

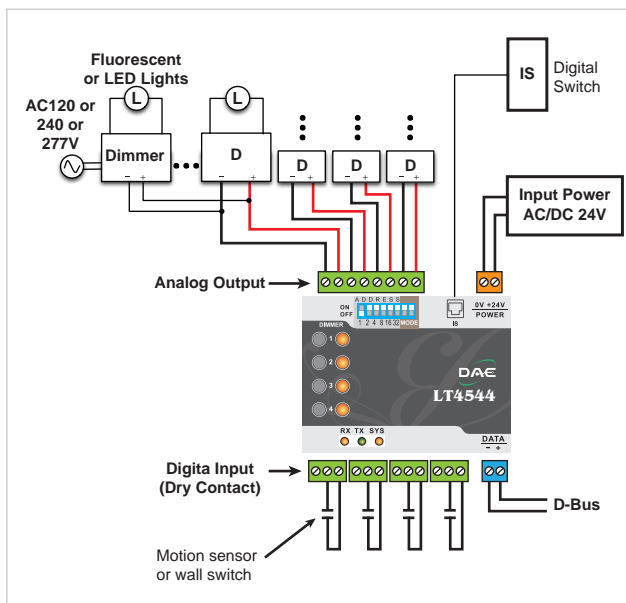
## Front Panel & Terminals



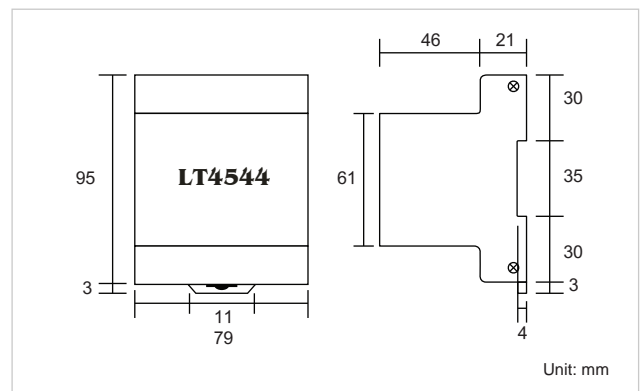
## Dip Switch



## Wiring Diagram



## Dimensions



## Ordering Code

Ordering Code	Description
LT4544	4 channel authorizing dimming controller output control DC 0~10V

\* Specifications subject to change without notice