



Smart for Greenlife!

Features

- Non-volatile Memory, the stored data is maintained through power outages
- No conversion factor or multiplier required
- Better accuracy than mechanical energy meters
- Highly sensitive with its low starting current, even small power loads are metered accordingly
- Saves on installation cost by obviating the need for power panels
- Anti-tampering design
- Can be mounted directly on the wall, pleasing appearance
- Small wall print and low depth
- RS485 Communication

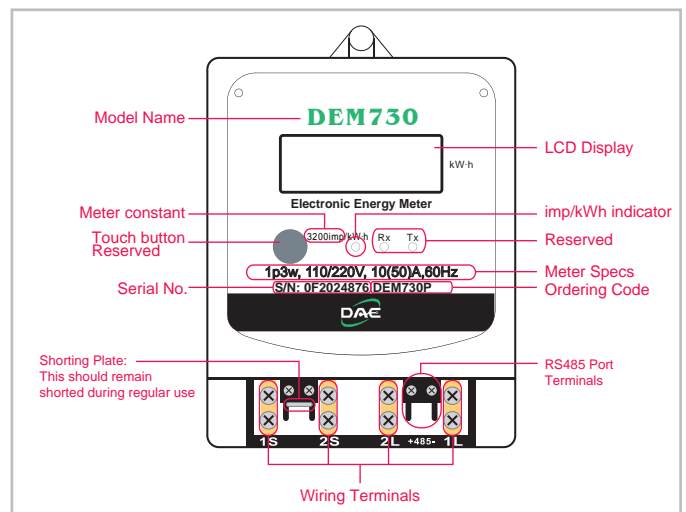
Overview

- Conforms to IEC61036 standard
- 6 digit 7 segment LCD display
- Resolution: 0.1 kWh
- Built-in self diagnosis
- Water proof gasket between the top and bottom cover, terminals not included
- Two sets of lead seals: one for the terminal cover and the second for the meter cover itself
- Operating temperature: -10 to 60°C

Applications

- Rental offices building
- Rental apartments
- School dormitories
- Shopping mall
- Yacht marina
- Temporary housing
- Show rooms
- Market stalls
- Eateries

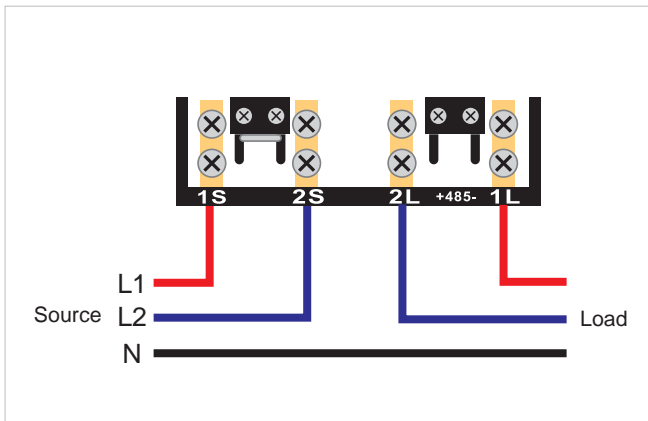
Front Panel and Terminals



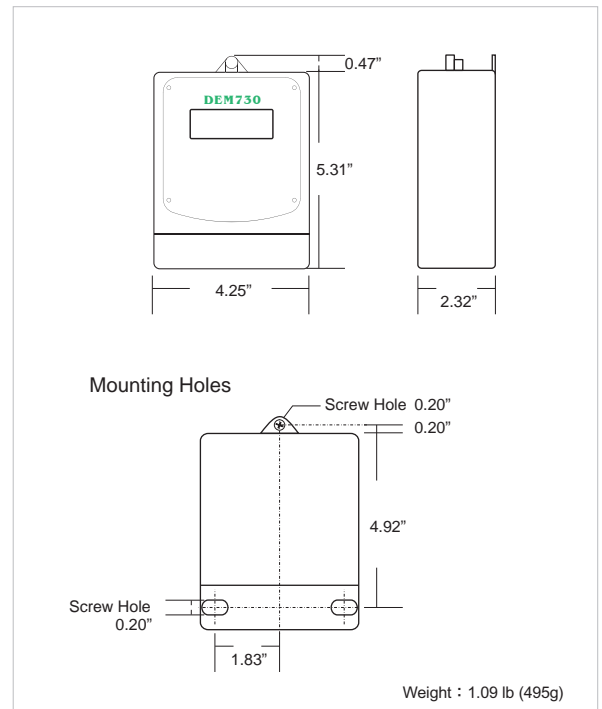
Specifications

Specification	Rated Voltage	Test Current	Rated Current	Max Wire Gauge
Single Phase Three Wire	110/220V	10A	50A	6 AWG (14mm ²)

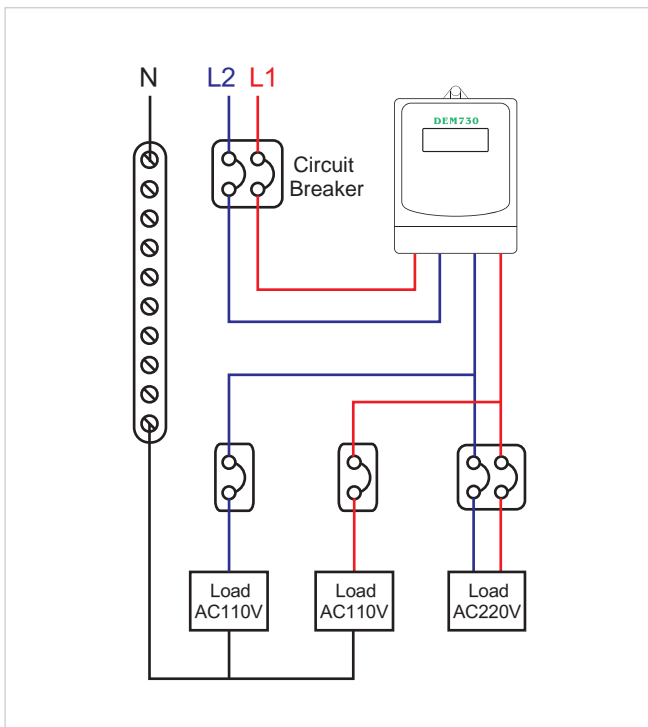
Terminal Wiring



Dimensions



Wiring Diagram



Ordering

Ordering Code	Rated Voltage	Rated Current
DEM730P	110/220V	50A

* Specifications are subject to change without notice, this is a preliminary datasheet and for reference only.