

# AS Series Water Meter



Smart for Greenlife!

## Description

The AS series of water meters include a pulse output that can be connected to a data collection device for remote auto meter reading. They are available in sizes from half inch up to 1.5 inch. They are ready for use with the AMR module or AMR130 display module which are also available from DAE; these modules collect the data from the water meters and sends it to a remote host for auto meter reading through their RS485 communication interface using the Modbus protocol.

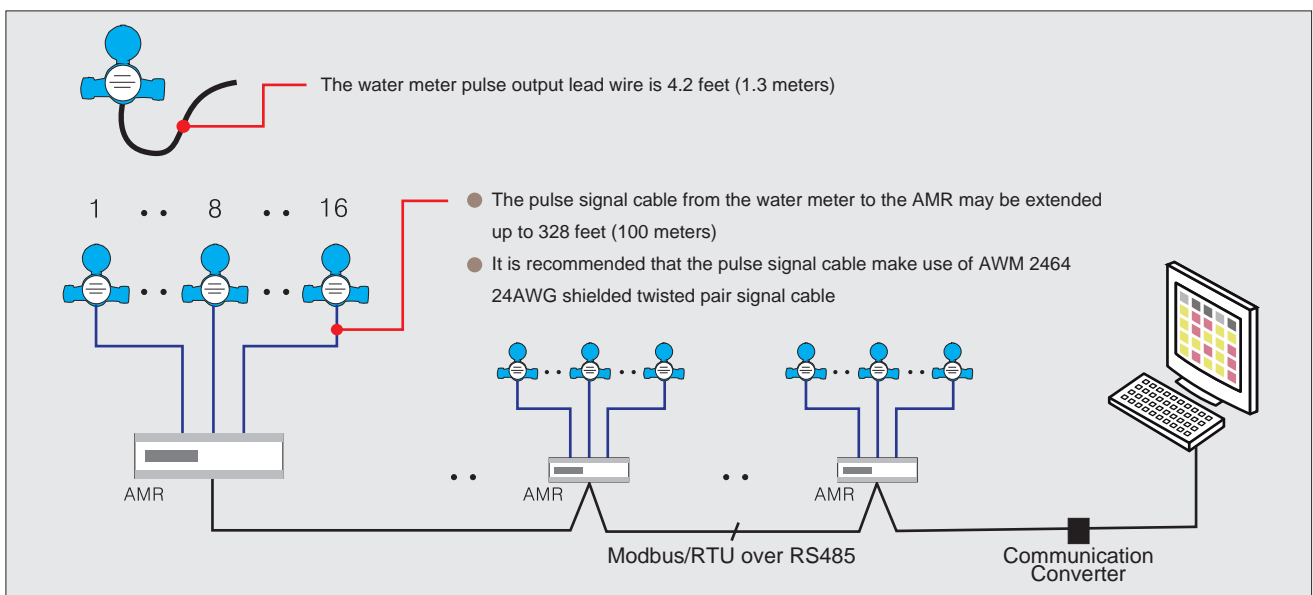
## Features

- Accuracy:  $\pm 1.5\%$  within normal flow as per AWWA Standard
  - The register head can be freely rotated for convenient viewing
  - Eight digit register counter
  - Pulse output for remote reading
  - Max temperature: Cold 104°F (40°C), Hot 194°F (90°C)
  - Conforms to both AWWA and ISO 4064
  - Max. Working Pressure 150 psi
  - Horizontal Inline mount with dial facing upward.
- Max flow: 2 times of nominal flow

## Separated Wet and Dry Parts

- Register head and the impeller are separate, and is magnetically coupled for increased reliability and easy maintenance.
- When the register head is replaced, the main impeller body can allow the water to flow uninterrupted.
- A lead seal ties the register head to the main body to detect tampering.

## System Architecture

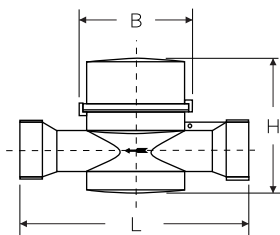


## Specifications

Ordering Code		Display Digits	DN	Inlet	Flow Rate (GPM)		Pulse Out gallon/pulse	Outlet	Material
Cold	Hot				Nominal	Min			
AS130U-50P	AS130U-50RP	1234567.1	13	½" NPT	10	0.25	1	½" NPT	Bronze
AS200U-75P	AS200U-75RP	1234567.1	20	¾" NPT	10	0.25	1	¾" NPT	Bronze
AS250U-100P	AS250U-100RP	12345678	25	1" NPT	25	0.75	10	1" NPT	Bronze
AS320U-125P	AS320U-125RP	12345678	32	1 ¼" NPT	25	0.75	10	1 ¼" NPT	Bronze
AS320U-150P	AS320U-150RP	12345678	40	1 ½" NPT	50	1.5	10	1 ½" NPT	Bronze

#Max flow protection 2 times of nominal flow

## Dimensions



Ordering Code		Dimensions (in)			Weight (lb)
Cold	Hot	L	H	B	
AS130U-50P	AS130U-50RP	4.33"	3.03"	3.39"	1.76
AS200U-75P	AS200U-75RP	5.12"	3.03"	3.39"	2.2
AS250U-100P	AS250U-100RP	6.3"	3.03"	3.66"	3.53
AS320U-125P	AS320U-125RP	6.3"	4.33"	4.76"	5.73
AS320U-150P	AS320U-150RP	7.87"	4.33"	4.76"	6.39

## Related Products

### Display and Communication Module

#### - Single Channel



AMR130  
DIN Rail

- Connects to the pulse output of one water meter
- Displays the accumulated pulse reading
- Can use with a 12VDC rechargeable battery for continued operation during a power failure
- Modbus/RTU over RS485 communication interface
- Requires external DC 15V power supply

#### - 16 Channels



AMR  
DIN Rail

- Connect the pulse outputs of up to 16 water meters
- Displays the accumulated pulse readings
- Can use with a 12VDC rechargeable battery for continued operation during a power failure
- Modbus/RTU over RS485 communication interface
- Requires external DC 15V power supply

Ordering Code	Description
AMR130	Single-Channel AMR base module, DIN Rail
AMR	16-Channel AMR base module, DIN Rail