



# AMR130

## Installation Guide

### 1 Warnings & Precautions

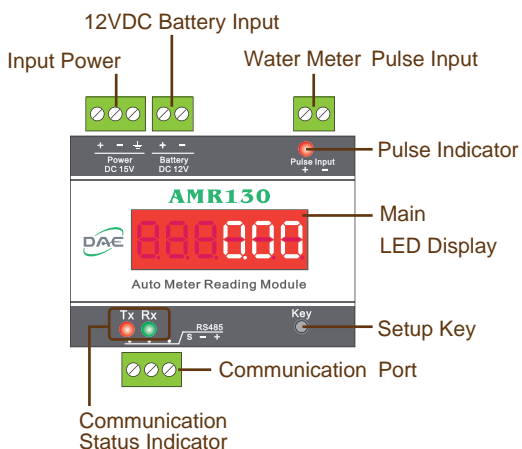
#### Danger

To reduce the risk of electric shock, turn off all sources of electrical power to the device during installation or wiring.

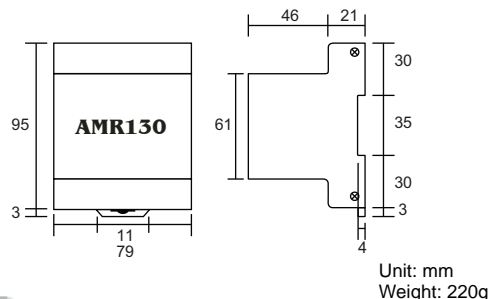
#### Warnings

- Install only by a qualified and trained personnel.
- Follow these instructions accordingly, otherwise damage may occur to the device.
- Follow electrical rules and regulations in the selection of wire materials and gauges.
- Avoid having oil, water, metallic powder or other foreign substances enter the device.
- Avoid using the device in environments where it will be exposed to steam, corrosive, or flammable substances; which can cause short circuits, fires, or explosions.

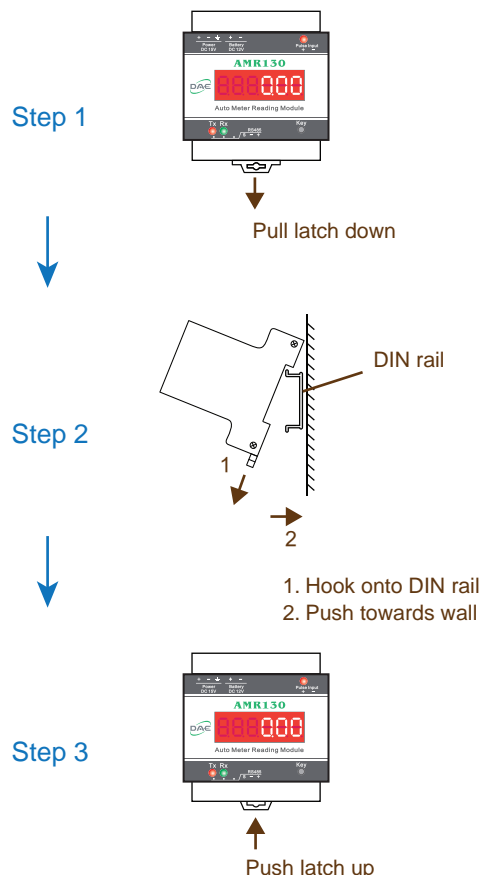
### 2 Front Panel & Terminals



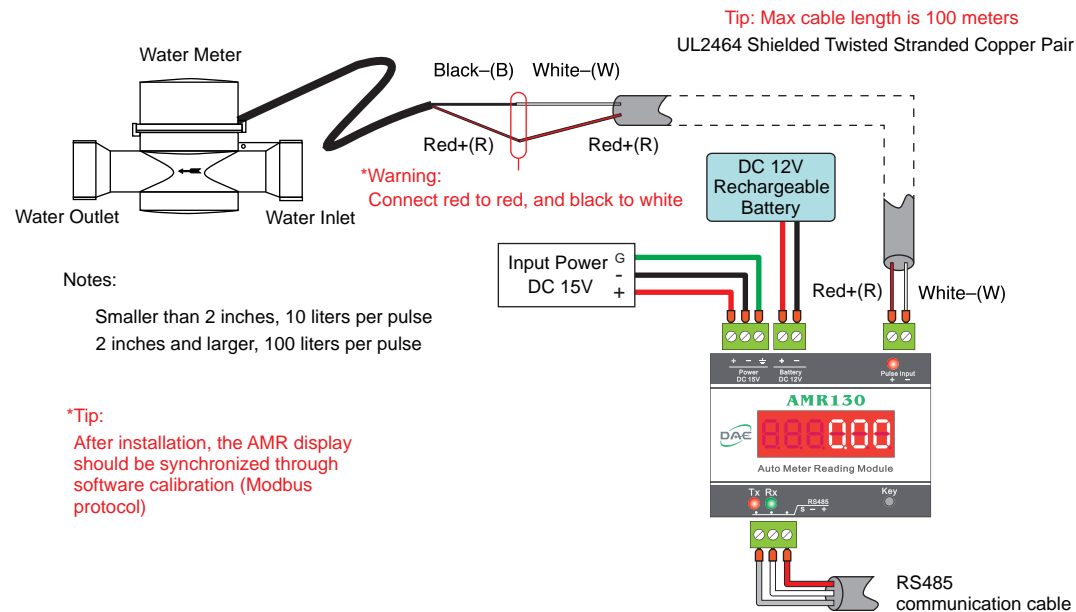
### 3 Dimensions



### 4 Mounting

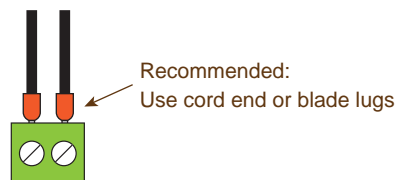


### 5 Wiring Diagram



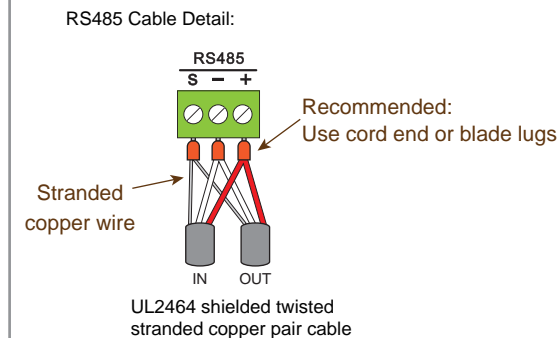
### 6 Wiring Detail

1. Please follow electrical regulations and recommendations in selecting the wire size and type.
2. Ensure that the wires are making good contact with the terminals and have been screwed securely.
3. Terminals can accept wires with size of no more than 2.0mm<sup>2</sup>.



### 7 RS485 Cable Detail

1. Use UL2464 shielded twisted stranded copper pair, 24 to 22 AWG recommended.
2. Terminate wire ends with cord end or blade lugs.
3. Ensure that the wires are screwed tightly to their corresponding terminals.
4. Ensure that the positive and negative polarities are correct.



# 8 Configuration

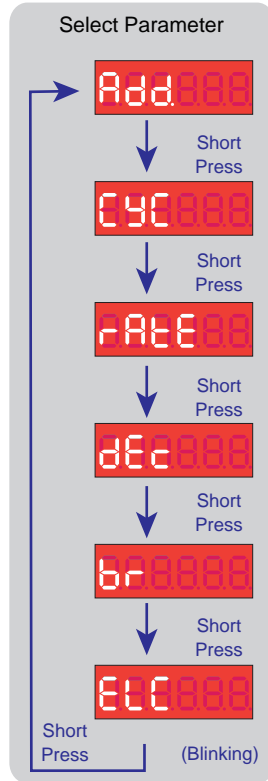


Press and hold setup key for 3 seconds to enter setup mode

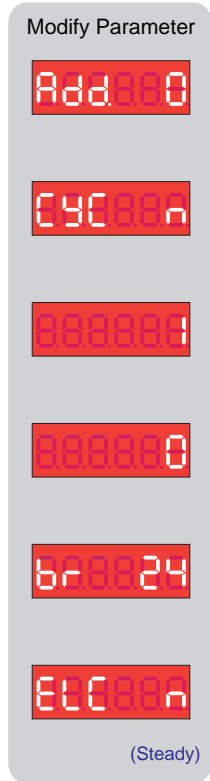
Typical Setup Values:  
1 gallon per pulse

	Settings
rAtE (scaling factor)	1
dEC (decimal point)	0

Long Press



Long Press



Short Press

Short Press

Short Press

Short Press

Short Press

Short Press

