



# AMR-D-DC

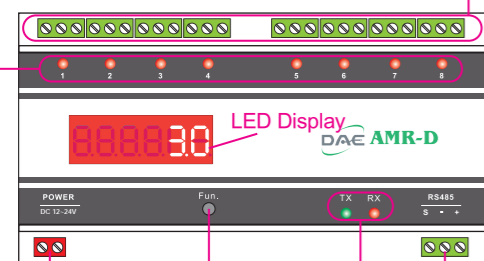
## Installation Guide

### 1 Front Panel

Water Meter Data Terminals Detail

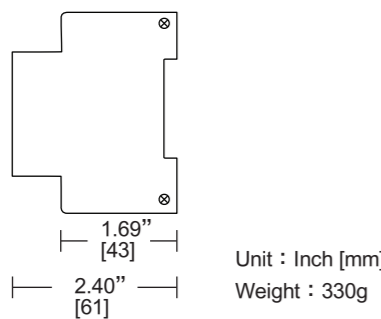


Water Meter Activity Indicators Water Meter Data Terminals



Input Power Function Key RS485 Activity Indicator RS485 Terminals

### 2 Dimensions



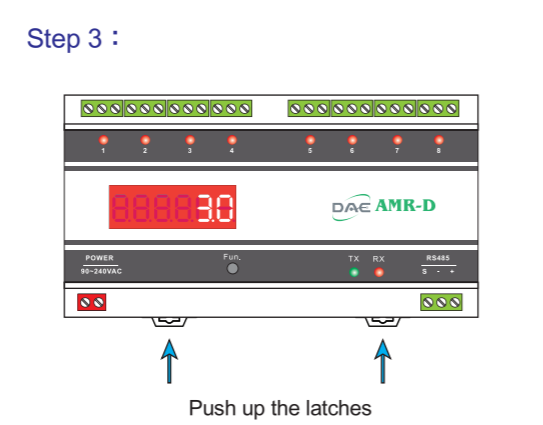
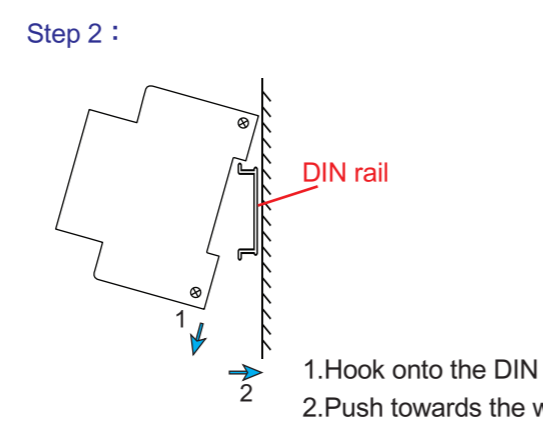
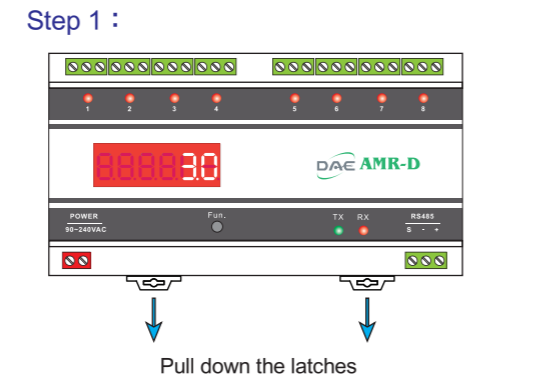
### 3 Warnings & Precautions

- Advisory**
- Please make sure that the end user gets this manual.
  - Please refrain from copying this manual in whole or in part, as any part of this manual may change without notice.
  - The contents of this manual have been checked for correctness and accuracy, but if any mistake or error is found please inform us so we may make the necessary corrections.

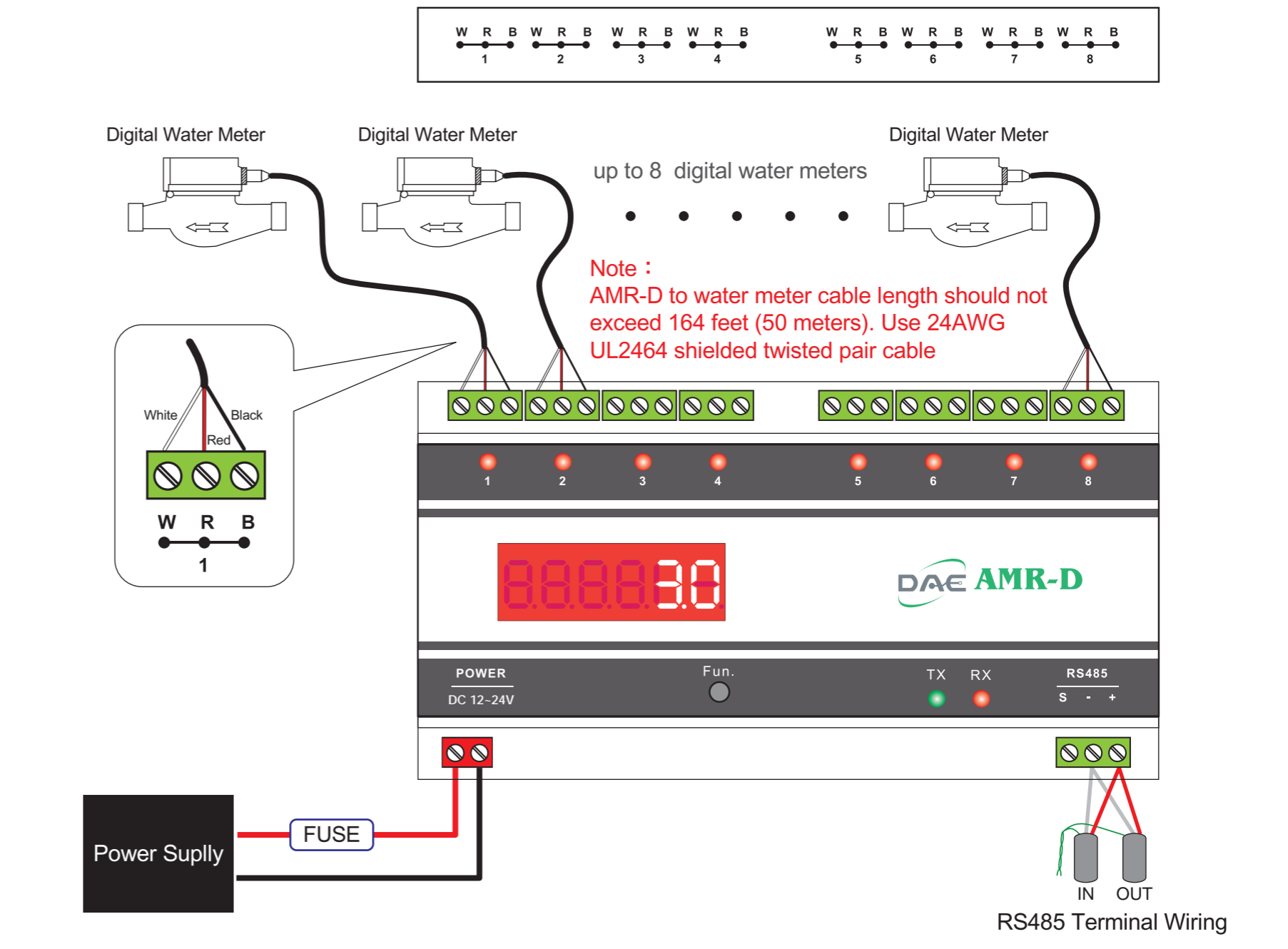
**Danger**  
To prevent the risk of electric shock, turn off all sources of electrical power to the device prior to installation or wiring.

- Warnings**
- Install only by a qualified and trained personnel.
  - Follow these instructions accordingly, otherwise damage may occur to the device.
  - Follow electrical rules and regulations in the selection of wire materials and gauges.
  - Avoid having oil, water, metallic powder or other foreign substances enter the device.
  - Avoid using the device in environments where it will be exposed to steam, corrosive, or flammable substances; which can cause short circuits, fires, or explosions.

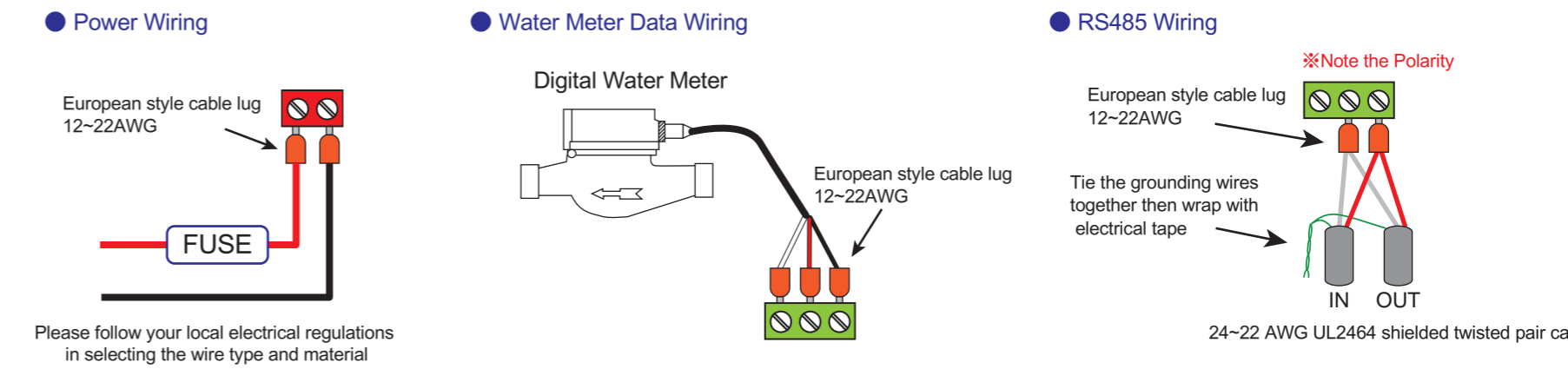
### 4 Mounting



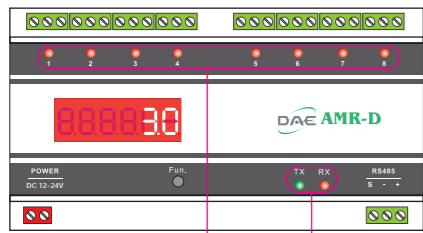
### 5 Wiring Diagram



### 6 Terminal & Wiring Detail



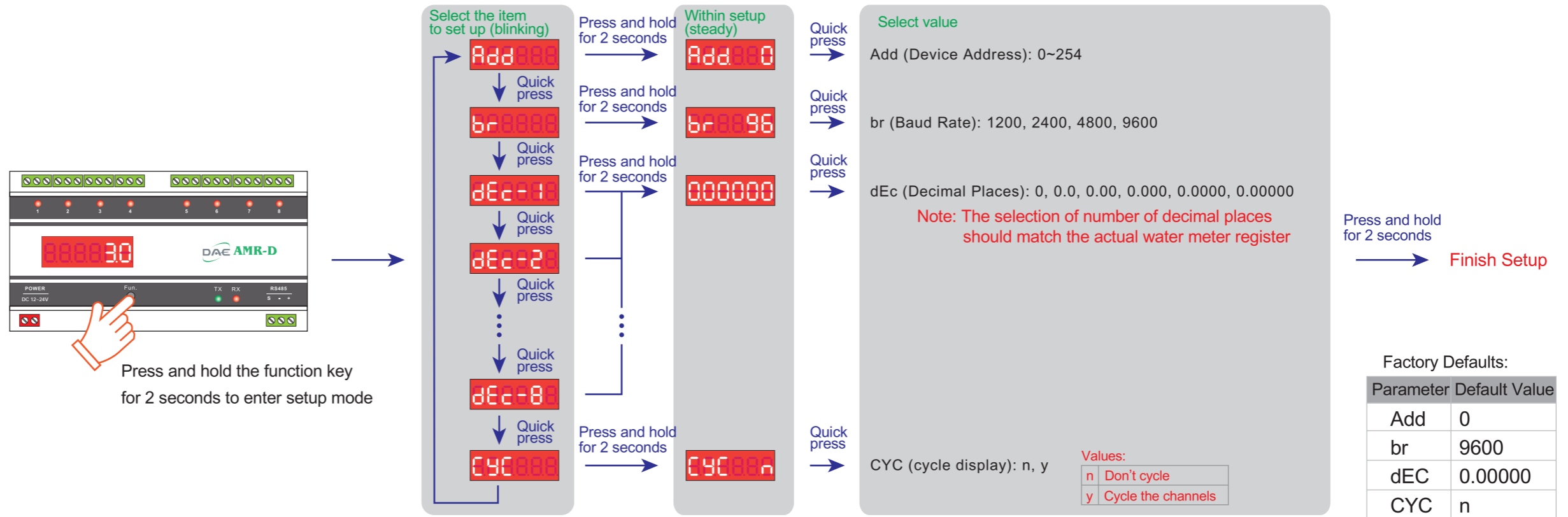
## 7 LED Indicators



RS485 Activity Indicators

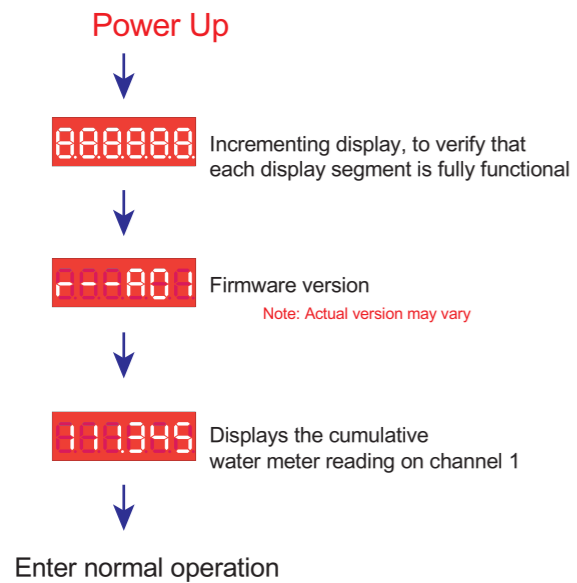
Status	Description
Dark	Communication normal
Lit	No communication or disrupted
Blink	Communication ongoing

## 8 Setup & Configuration



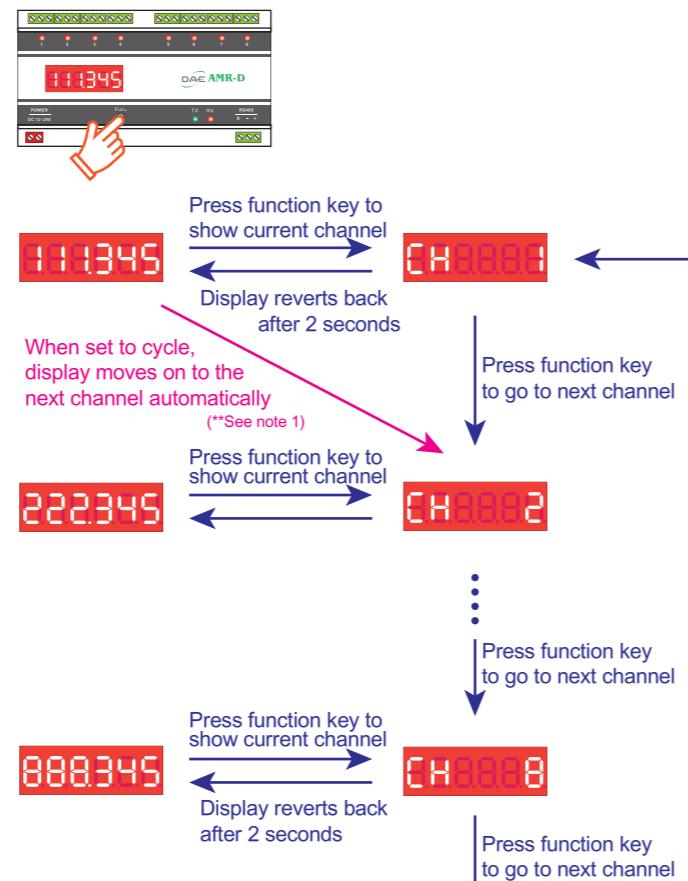
## 9 Display Operation

### Power Up Display

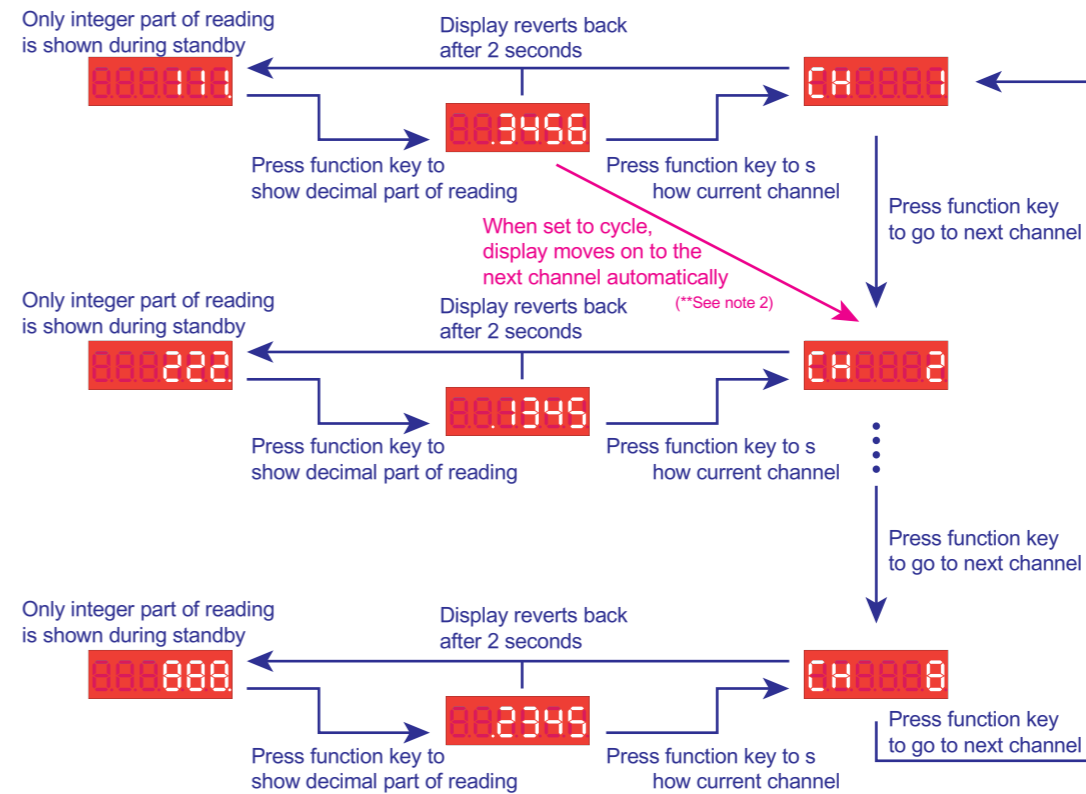


### Two Types of Display Behavior

#### 1. Meter reading with less than 6 digits



#### 2. Meter reading with greater than 6 digits



\*\*Note 1: Channel is shown for 2 seconds, meter reading is shown for 10 seconds  
 \*\*Note 2: Channel is shown for 2 seconds, integer part of meter reading is shown for 5 seconds, decimal part of meter reading is shown for 5 seconds

